

ULTRADYN™ FB02-FC-FUS0353

Ultrafiltration Modules

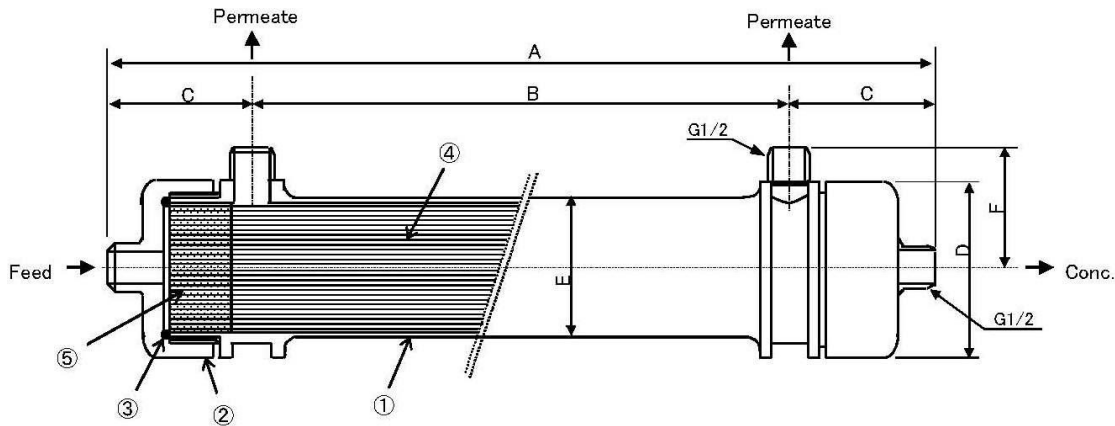
High mechanical strength, backwashable membrane in a wide range of membrane types make ULTRADYN™ hollow fiber modules suitable for all applications requiring a high level of purification and high packing density. ULTRADYN modules are available with polyethersulfone (PES), polyacrylonitrile (PAN) and cellulose tri-acetate (CTA) hollow fiber membrane types and in configurations that can be sterilized with hot water up to 98 °C, eliminating bacterial growth and preventing fouling.

ULTRADYN modules are available with a hollow fiber inner diameter range from 0.5 to 1.4 mm, and module size range from 0.1 m² to 17 m². ULTRADYN hollow fiber modules have proven particularly successful in applications such as pure water filtration, pharmaceuticals, electronics, and surface water treatment.

MEMBRANE CHARACTERISTICS

Membrane Chemistry	Polyethersulfone (PES)
Molecular Weight Cut-Off	30,000 Dalton
Hollow Fiber Inner Diameter	0.5 mm

PHYSICAL DIMENSIONS



	A	B	C	D	E	F
Dimension – mm	356	250	53	∅ 60	∅ 45	42

Item	Description	Material	Quantity
1	Hollow Fiber	Polyethersulfone	-
2	Cap	Polysulfone	2
3	Case	Polysulfone	1
4	O-Ring type AS568-239	Fluoro-rubber (FPM)	2
-	Potting Resin	Epoxy Resin	-

OPERATING PARAMETERS & MODULE SPECIFICATIONS

Membrane Area	0.4 m ² (4.3 ft ²)
Standard Water Flux ^a	300 l/h (1.32 gpm)
Shipping Water Flux ^a	220 l/h (0.96 gpm)
Maximum Feed Inlet Pressure ^b	4 bar (58 psi)
Maximum Transmembrane Pressure	3 bar (44 psi)
Maximum Temperature	98°C (208°F)
Applicable pH range	1 ~ 13
Standard Inlet Feed Flow ^c	710 l/h (3.12 gpm)
Operating Weight	0.9 kg (1.98 lb)
Shipping Weight	0.4 kg (0.88 lb)
Standard Preservative	1000 ppm Benzoic acid
Feed/Conc. Connectors	G1/2
Permeate Connectors	G1/2

a Initial water flux by dead end filtration with pure water under TMP 0.1 MPa at 25°C.

b Standard condition is adjusted to 1 m/sec feed velocity. The optimum velocity is different for each application.

c This value is applicable at 25°C.

d Maximum pressures depend on operating temperature. See instruction manual for further information.

* DAICEN Membrane Systems Ltd. is the manufacturer of the ULTRADYN modules and markets and distributes them under the registered trademark MOLSEP®.

CUSTOMIZABLE SPECIALTY ELEMENTS

MICRODYN-NADIR offers a full range of membranes and element designs for challenging water and process applications. Technologies include low-fouling RO, submerged UF, continuous high temperature, ultra-high pressure, unique sanitary designs and more. Contact MICRODYN-NADIR to customize a product that satisfies your specific requirements.

Contact

Europe

Germany: +49 611 962 6001
 Italy: +39 0721 1796201
 info@microdyn-nadir.com

America

USA: +1 805 964 8003
 Brazil: +55 11 3378 7500
 info@microdyn-nadir.com

Asia

China: +86 592 677 5500
 Singapore: +65 6457 7533
 infochina@microdyn-nadir.cn