

BIO-CEL® EASY

Scope of Supply, Accessories, & Spare Parts

BIO-CEL® EASY SCOPE OF SUPPLY

BIO-CEL® EASY is a small but mighty MBR system built for customers whose water treatment needs fall into the 10 - 100 m³/d 'sweet spot' for the modules. This simple and efficient MBR module is easy to design, assemble, connect, move, and expand in any customer facility. The BIO-CEL® EASY module fits perfectly in the filtration tank: BIO-CEL® EASY TANK. The perfect pair of tank and module ensures a plug-and-play experience.

The below table shows the different options for ordering BIO-CEL EASY. Details on shipping dimensions and weights are shown in table 2.

Table 1. Scope of supply

Part Number	Module Name	Comments
1000002984	BIO-CEL® EASY	Steel frame made of SS304, permeate port with G ¾ " inner thread, air port with G 1 ½ " outer thread.
1000002941	BIO-CEL® EASY Module + Tank	Modules steel frame and tank made of SS304, module installed in the tank with pipe connections. Tank permeate port with G ¾ " inner thread, tank air port with G 1 ½ " inner thread.

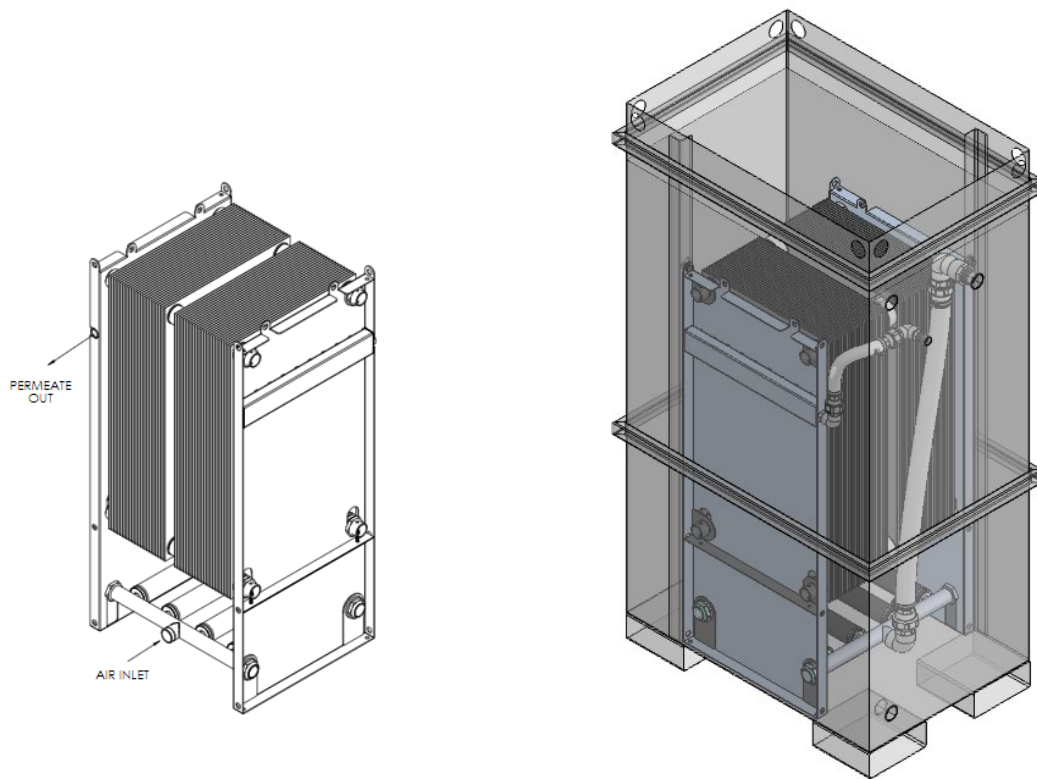


Figure 1. BIO-CEL® EASY scope of supply - left 1000002983; right 1000002941

Table 2. Shipment dimensions

	Length	Width	Height	Weight	Comments
BIO-CEL® EASY (1pcs module shipped on pallette)	1200 mm (3.9 ft)	800 mm (2.6 ft)	1574 mm (5.2 ft)	136 kg (300 lb)	Module packed in carton box and fixed to a pallette.
BIO-CEL® EASY (2pcs modules shipped on pallette)	1200 mm (3.9 ft)	800 mm (2.6 ft)	1574 mm (5.2 ft)	246 kg (542 lb)	Module packed in carton box and fixed to a pallette.
BIO-CEL® EASY Module + Tank	1126 mm (3.7 ft)	766 mm (2.5 ft)	2036 mm (6.7 ft)	360 kg (794 lb)	Module installed in a tank. Tank can be lifted by forks or with chains via crane.

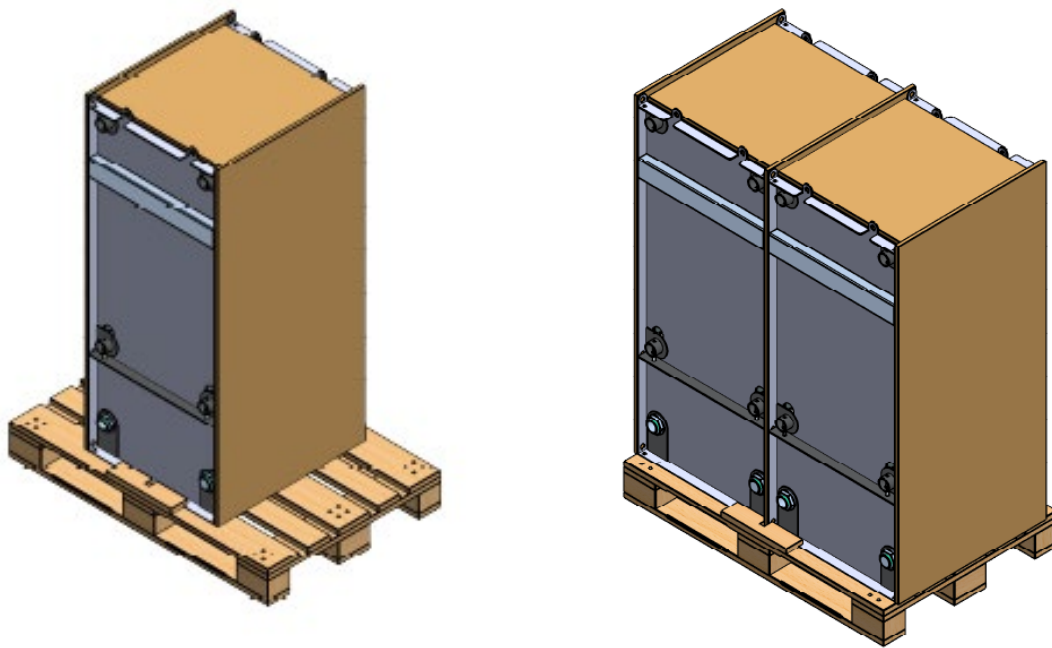


Figure 2. BIO-CEL® EASY single shipment (left) and shipment of 2 modules (right)

BIO-CEL® EASY ACCESSORIES & SPARE PARTS

Table 3 and figure 3 show available accessories and spare parts. To ensure proper installation and operation of BIO-CEL® EASY, certain accessories are necessary if the module is purchased not installed in the tank.

No spare parts are typically required for BIO-CEL® EASY within the first five years of operation. If spare parts are needed, they may be ordered as per the below table.

Table 3. Accessories & spare parts

Position	Part Number	Spare Part	Remarks
1	1000002981	BIO-CEL® EASY Membrane Stack	1 pcs membrane stack only, packed in a box. BIO-CEL EASY consists of 2 membrane stacks.
2	1000002987	BIO-CEL® EASY Permeate Piping	Permeate piping for installation in standard BIO-CEL EASY tank
3	1000002986	BIO-CEL® EASY Diffusor Set	Set of 4 diffusors including O-rings
4	1000002987	BIO-CEL® EASY Permeate Piping	Permeate piping for installation in standard BIO-CEL EASY tank
5	1000002943	BIO-CEL® EASY Tank	Steel tank made of SS304 including steel parts to fix the BIO-CEL EASY in the tank.

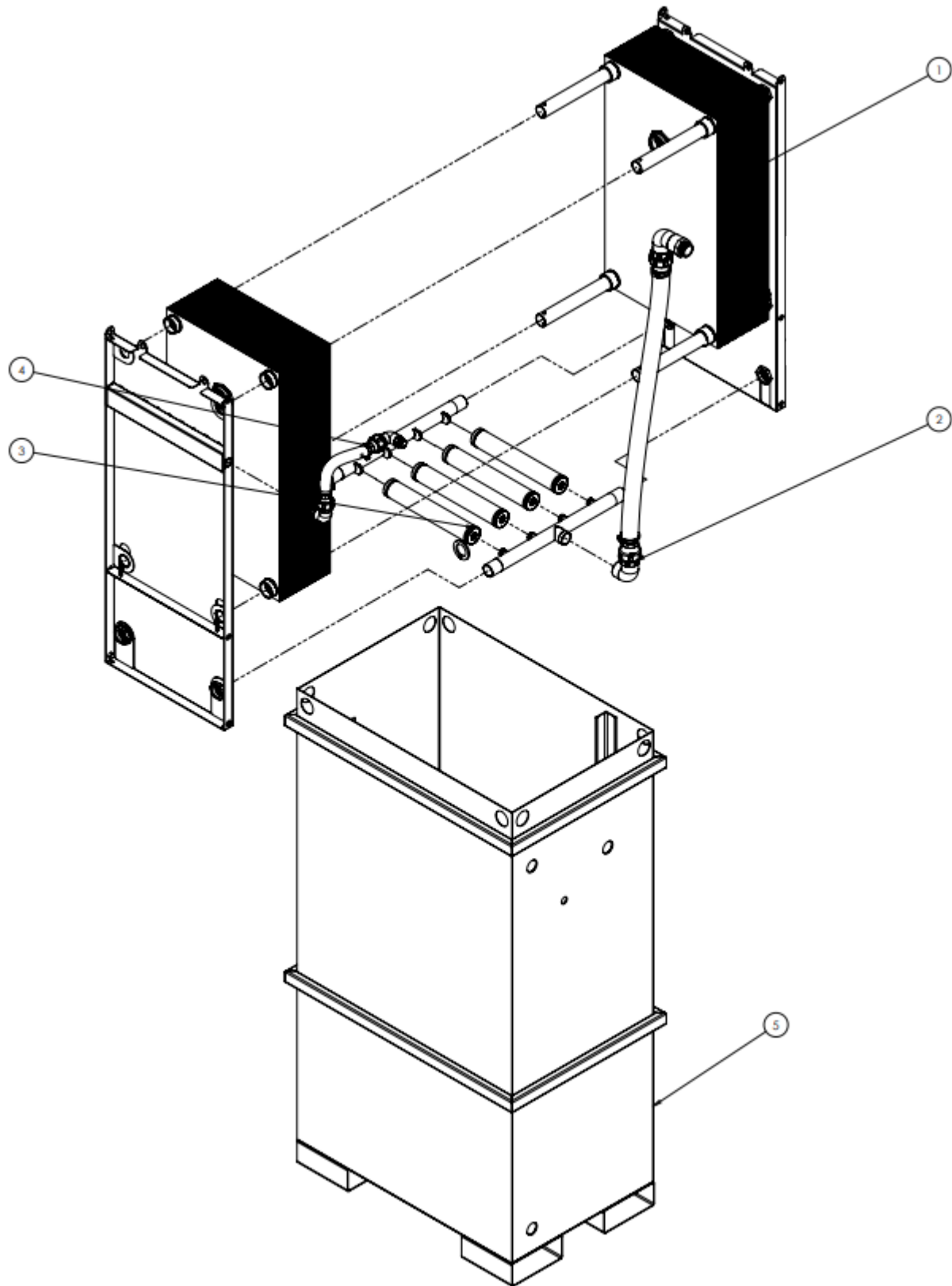


Figure 4. BIO-CEL[®] EASY accessories & spare parts