

BIO-CEL® L-2 Double Scope of Supply, Accessories, & Spare Parts

BIO-CEL® L-2 DOUBLE SCOPE OF SUPPLY

The BIO-CEL® MBR product line is ideal for biological wastewater treatment in industrial and municipal applications. This product specification sheet provides details about the standard scope of supply, available accessories, and spare parts of BIO-CEL L-2 Double modules.

Find shipment dimensions and container transport information on page 2. BIO-CEL L-2 Double modules are shipped in wooden crates. Part numbers in Table 1 are the standard scope of supply. For details about available accessories, please see page 3; for spare parts, please see page 5.

Table 1. Scope of supply

Part Number	Module Name	Comments
1000001455	BIO-CEL L-2 Double	1.4301/304 (V2A), permeate port with G 2 ½ inner thread, air port with DN80 (PN10) pipe end in Polypropylene
On request	BIO-CEL L-2 Double SS316	1.4571/316Ti (V4A), permeate port with G 2 ½ inner thread, air port with DN80 (PN10) pipe end in Polypropylene

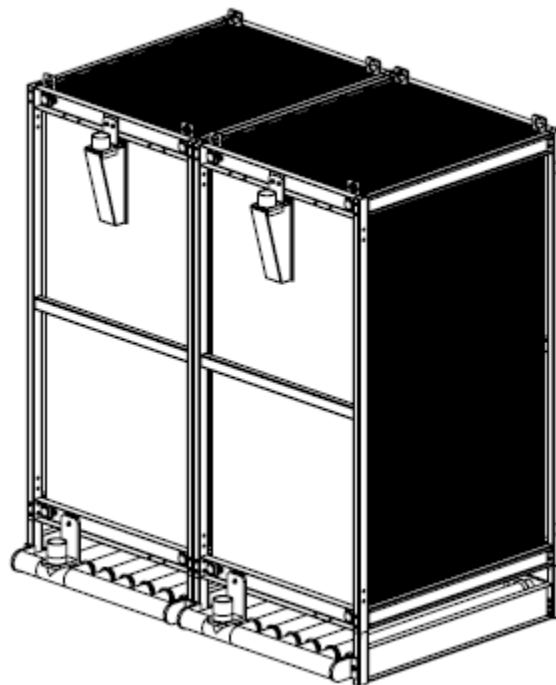


Figure 1. BIO-CEL® L-2 Double scope of supply

Table 2. Wooden crate shipment dimensions

	Length	Width	Height	Weight
BIO-CEL® L-2 Double	2,338 mm (7.7 ft)	1,650 mm (5.4 ft)	2,580mm (8.5 ft)	1,000 kg (2200 lb)

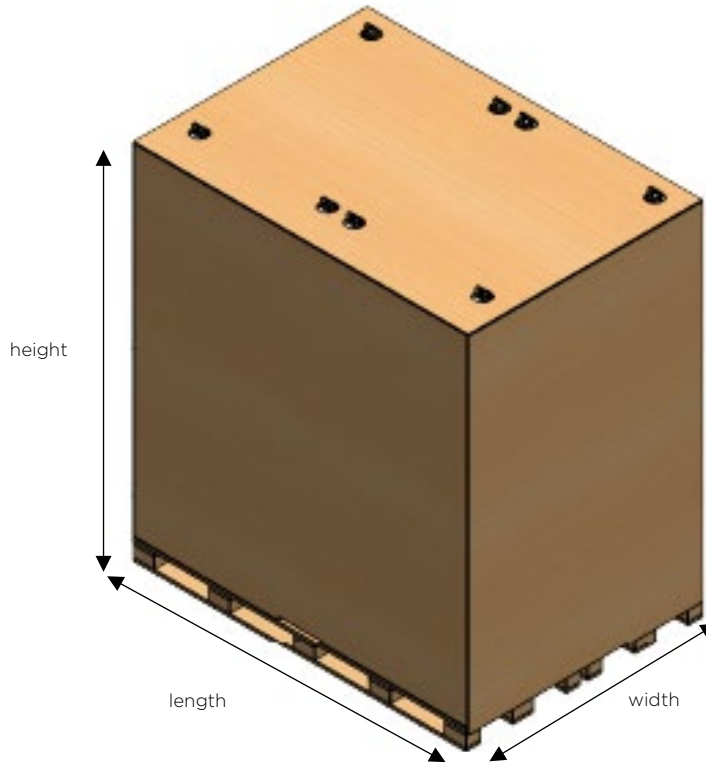


Figure 2. BIO-CEL® L-2 Double in transport packaging

Table 3. High cube container inner dimensions

	Length	Width	Height
20 ft container	5,898mm (19.4 ft)	2,350mm (7.7 ft)	2,690mm (8.8 ft)
40 ft container	12,032mm (39.5 ft)	2,350mm (7.7 ft)	2,700mm (8.8 ft)
Door opening	-	2,350mm (7.7 ft)	2,597mm (8.5 ft)

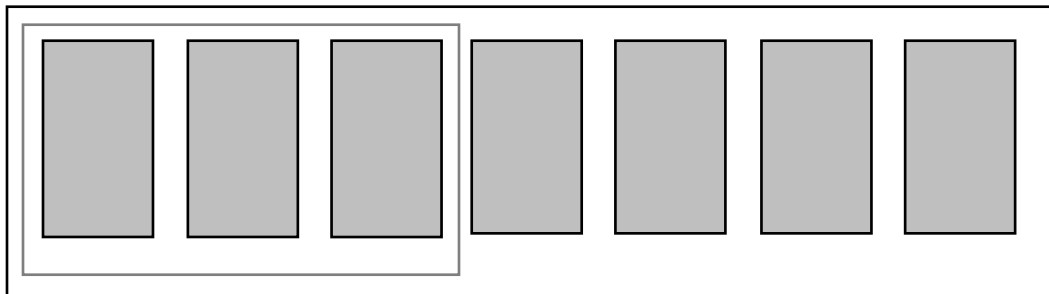


Figure 3. BIO-CEL® L-2 Double arrangement in 20 / 40 ft HC container (6 / 14 pcs capacity)

BIO-CEL® L-2 DOUBLE ACCESSORIES

To ensure proper installation and operation of BIO-CEL® MBR modules, certain accessories are necessary. These accessories are listed in Table 4 and may be purchased or produced by a third-party supplier. Detailed drawings are available on request.

Table 4. Accessories

Position	Part Number	Accessory	Material / Comment
A1	1000001432	BIO-CEL L-2 Adjustable Legs	Set of 4 brackets including screws and nuts, Stainless Steel 1.4301/304 (BIO-CEL L-2 Double requires 2 sets)
	1000001457	BIO-CEL L-2 Adjustable Legs SS316	Set of 4 brackets including screws and nuts, Stainless Steel 1.4404/316L (BIO-CEL L-2 Double requires 2 sets)
A2	On request	BIO-CEL L-2 Double Lifting Tool	On request
A3	On request	BIO-CEL L-2 Air Port Flange Adapter	Polypropylene adapter to DN80 flange including DN80 Grip Clamp (BIO-CEL L-2 Double requires 2 sets)
A4	1000003064	BIO-CEL L-2 Air Pipe Extension Kit GP	Polypropylene pipe with DN80 flange including pipe support and Grip Clamp (BIO-CEL L-2 Double requires 2 sets)
A5	1000002852	BIO-CEL L-2 Permeate Pipe Extension Kit	DN80 (PN6) flange, Stainless Steel 1.4404/316L (BIO-CEL L-2 Double requires 2 sets)
A6	On request	BIO-CEL L-2 Ground Fixation Set	Set of 4 brackets including screws and nuts, Stainless Steel 1.4404/316L
-	Drawings available	BIO-CEL L-2 Double Wall Fixation	-
-	Drawings available	BIO-CEL L-2 Double Lifting & Guiding System	-

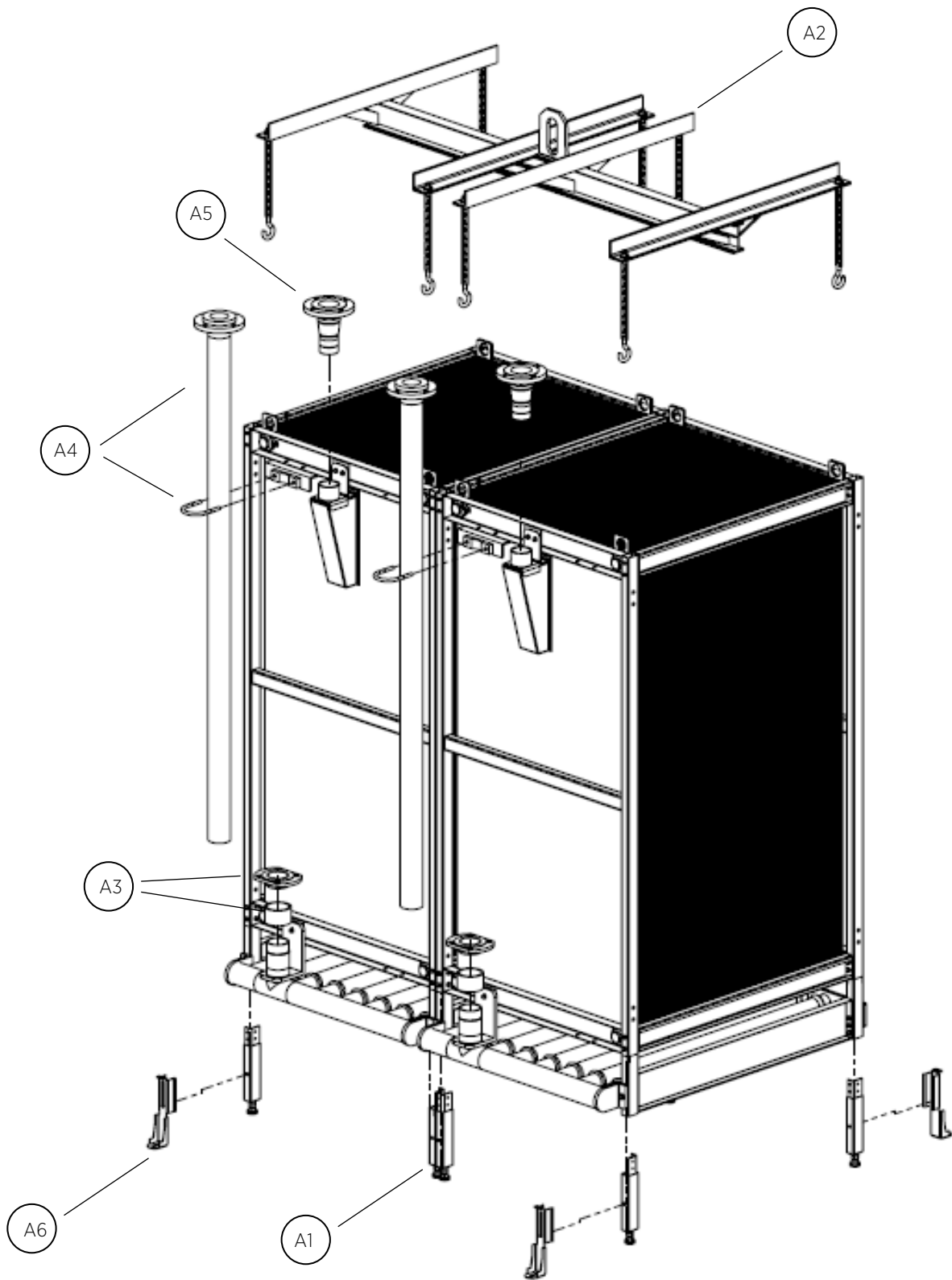


Figure 4. BIO-CEL® L-2 Double accessories

BIO-CEL® L-2 DOUBLE SPARE PARTS

No spare parts are typically required for BIO-CEL® L-2 Double modules within the first five years of operation. If spare parts are needed, they may be ordered as per Table 5. Please note that the below table and figure is referring to 1 BIO-CEL® L-2 cassette. A BIO-CEL® L-2 Double consists of 2 BIO-CEL® L-2 cassettes.

Table 5. Spare parts

Position	Part Number	Spare Part	Remarks
S1	1000001435	BIO-CEL L-2 Cassette	Stainless Steel 1.4301/304 (V2A)
	1000001467	BIO-CEL L-2 CassetteSS316	Stainless Steel 1.4571/316Ti (V4A)
S2	1000001436	BIO-CEL L-2 Permeate Block	1.4301/304 (V2A), permeate port with G 2 ½ inner thread
	On request	BIO-CEL L-2 Permeate Block Standard SS316	1.4571/316Ti (V4A), permeate port with G 2 ½ inner thread
S3	1000001437	BIO-CEL L-2 Base Frame Plates	Stainless Steel 1.4301/304 (V2A)
	On request		Stainless Steel 1.4571/316Ti (V4A)
S4	1000001438	BIO-CEL L-2 Diffuser Grid Incl. Diffuser Hoses	Polypropylene (Grid) Silicone (Hoses)
S5	1000001440	BIO-CEL L-2 Diffuser Back Plate	Polypropylene
S6	1000001470	BIO-CEL L-2 Diffuser Hose Set SIL	Set of 8 silicone hoses, ear clamps, glue strips (changing diffuser hoses requires tool below)
S7	On request	BIO-CEL L-2 Diffuser Frame Legs	1.4301/304 (V2A), permeate port with DN80 (PN 6) flange
	On request	BIO-CEL L-2 Diffuser Frame Legs SS316	1.4571/316Ti (V4A), permeate port with DN80 (PN 6) flange
-	1000001439	BIO-CEL L-2 Diffuser Tool	Pliers for assembly of ear clamps

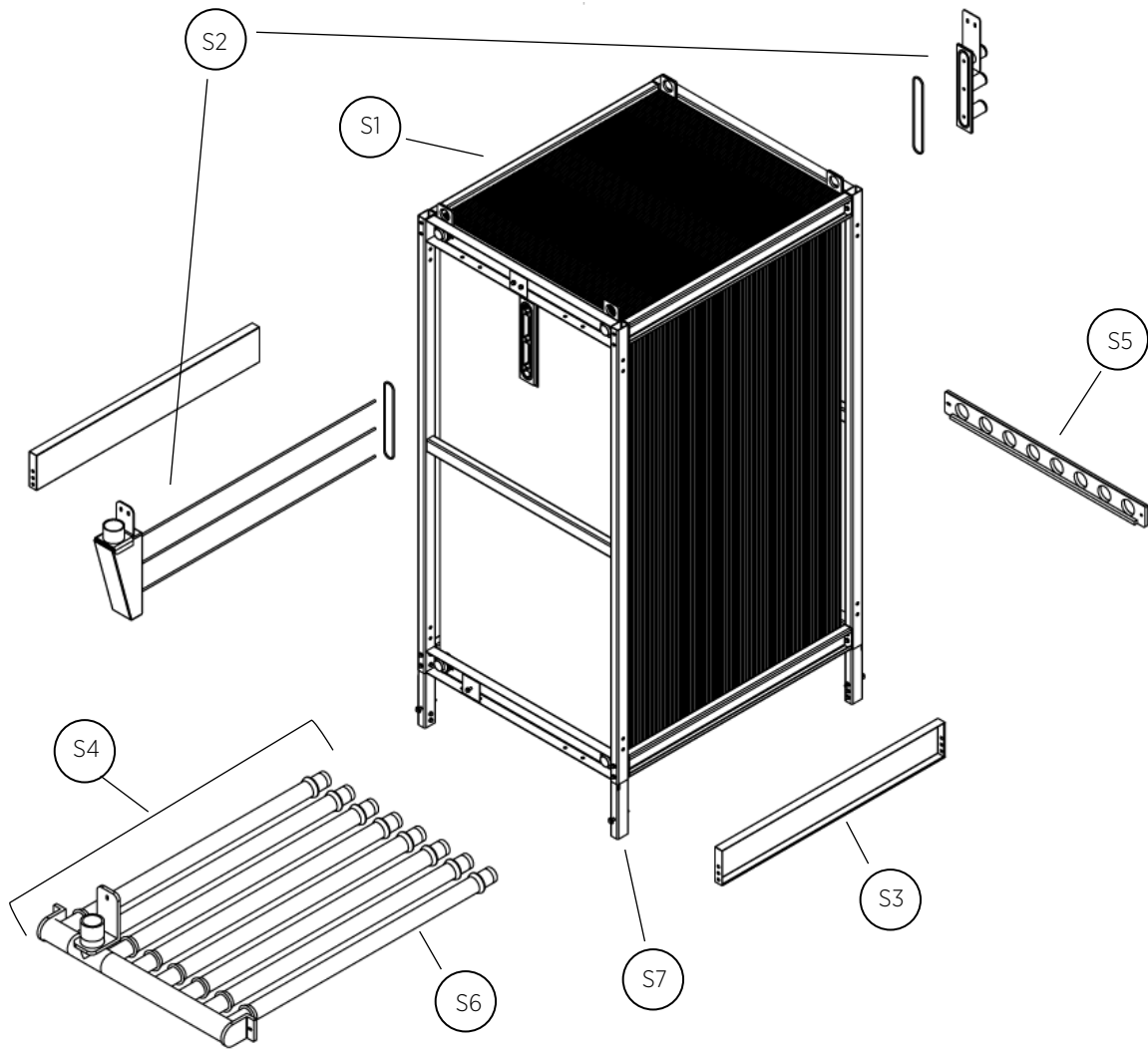


Figure 5. BIO-CEL® L-2 spare parts

Contact

Europe

Germany: +49 611 962 6001
Italy: +39 0721 1796201
info@microdyn-nadir.com

Americas

USA: +1 805 964 8003
sales.mnus@microdyn-nadir.com

Asia

Singapore: +65 6457 7533
China: +86 10 8413 9860
waterchina@mann-hummel.com