

# BIO-CEL® XL-2

## Scope of Supply, Accessories, & Spare Parts

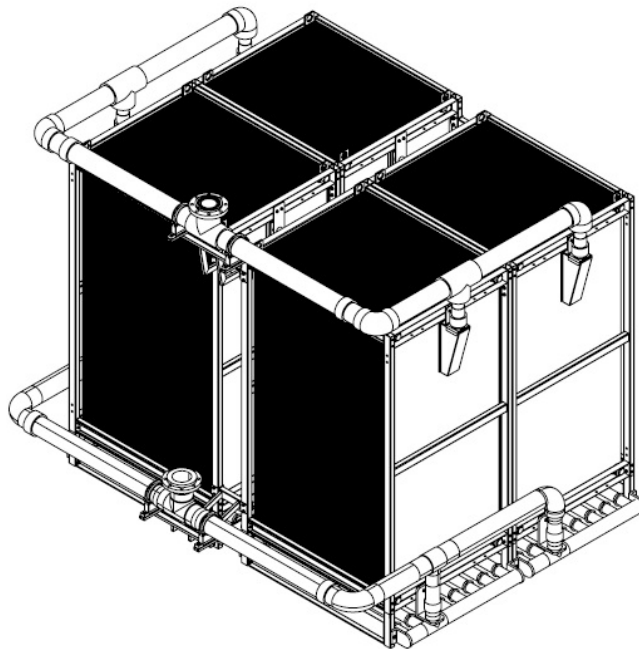
### BIO-CEL® XL-2 SCOPE OF SUPPLY

The BIO-CEL® MBR product is ideal for biological wastewater treatment in industrial and municipal applications. This product specification sheet provides details about the standard scope of supply, available accessories, and spare parts of BIO-CEL XL-2 modules.

Find shipment dimensions and container transport information on page 2. BIO-CEL XL-2 modules are shipped in wooden crates along with piping packed in boxes on a pallet. Part numbers in Table 1 are the standard scope of supply. For details about available accessories, please see page 3; for spare parts, please see page 5.

Table 1. Scope of supply

Part Number	Module Name	Comments
1000001428	BIO-CEL XL-2	1.4301/304 (V2A)
On request	BIO-CEL XL-2 SS316	1.4571/316Ti (V4A)  Permeate piping in PVC, lapped permeate flange in DN125 PN10, flange orientation variable.  Air piping in PP, lapped permeate flange in DN125 PN10, flange orientation variable.

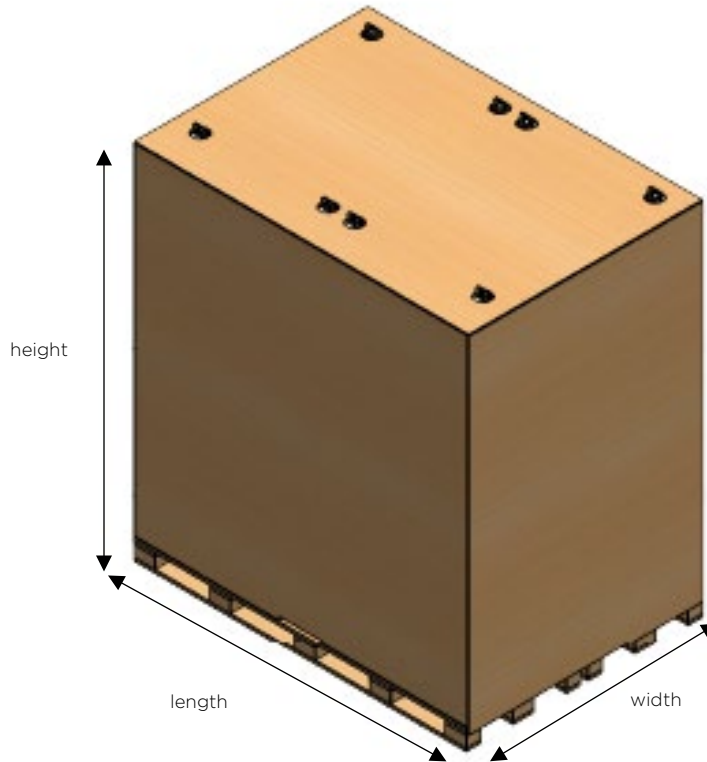


BIO-CEL® XL-2 packaging consists of three pieces, two wooden crates as shown in Figure 2 and one pallet with all additional parts like piping, supports, and clamps packed in boxes. Depending on the number of BIO-CEL XL-2 modules ordered, the piping, supports, and clamps for more than just one module might be packed on one pallet.

Table 3 shows the arrangement in different container sizes for the wooden crates only.

**Table 2.** Wooden crate shipment dimensions

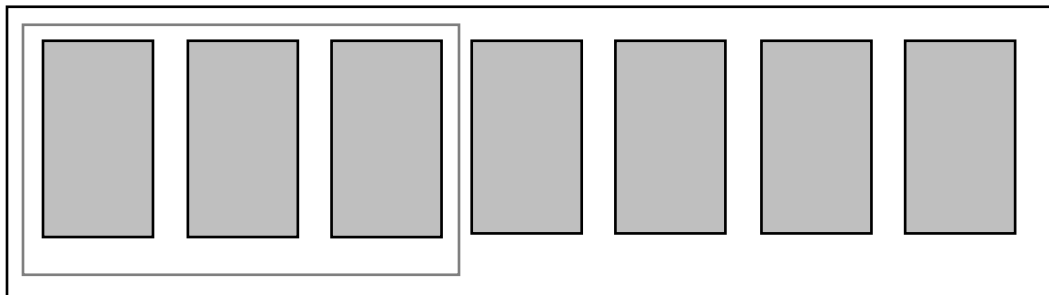
	<b>Length</b>	<b>Width</b>	<b>Height</b>	<b>Weight</b>
BIO-CEL® XL-2 Double sub-unit	2,338 mm (7.7 ft)	1,650 mm (5.4 ft)	2,580mm (8.5 ft)	1,000 kg (2200 lb)



**Figure 2.** BIO-CEL® XL-2 Double sub-unit in transport packaging

**Table 3.** High cube container inner dimensions

	<b>Length</b>	<b>Width</b>	<b>Height</b>
20 ft container	5,898mm (19.4 ft)	2,350mm (7.7 ft)	2,690mm (8.8 ft)
40 ft container	12,032mm (39.5 ft)	2,350mm (7.7 ft)	2,700mm (8.8 ft)
Door opening	-	2,350mm (7.7 ft)	2,597mm (8.5 ft)



**Figure 3.** BIO-CEL® XL-2 Double sub-unit arrangement in 20 / 40 ft HC container (6 / 14 pcs capacity)

**BIO-CEL® XL-2 ACCESSORIES**

To ensure proper installation and operation of BIO-CEL® MBR modules, certain accessories are necessary. These accessories are listed in Table 4 and may be purchased or produced by a third-party supplier. Detailed drawings are available on request.

Table 4. Accessories

Position	Part Number	Accessory	Material / Comment
1	1000001432	BIO-CEL L-2 Adjustable Legs	Set of 4 legs including screws and nuts, Stainless Steel 1.4301/304
	1000001457	BIO-CEL L-2 Adjustable Legs SS316	Set of 4 legs including screws and nuts, Stainless Steel 1.4404/316L
2	On request	BIO-CEL L-2 Double Lifting Tool	On request
3	On request	BIO-CEL L-2 Ground Fixation Set	Set of 4 brackets including screws and nuts, Stainless Steel 1.4404/316L
-	Drawings available	BIO-CEL XL-2 Wall Fixation	-

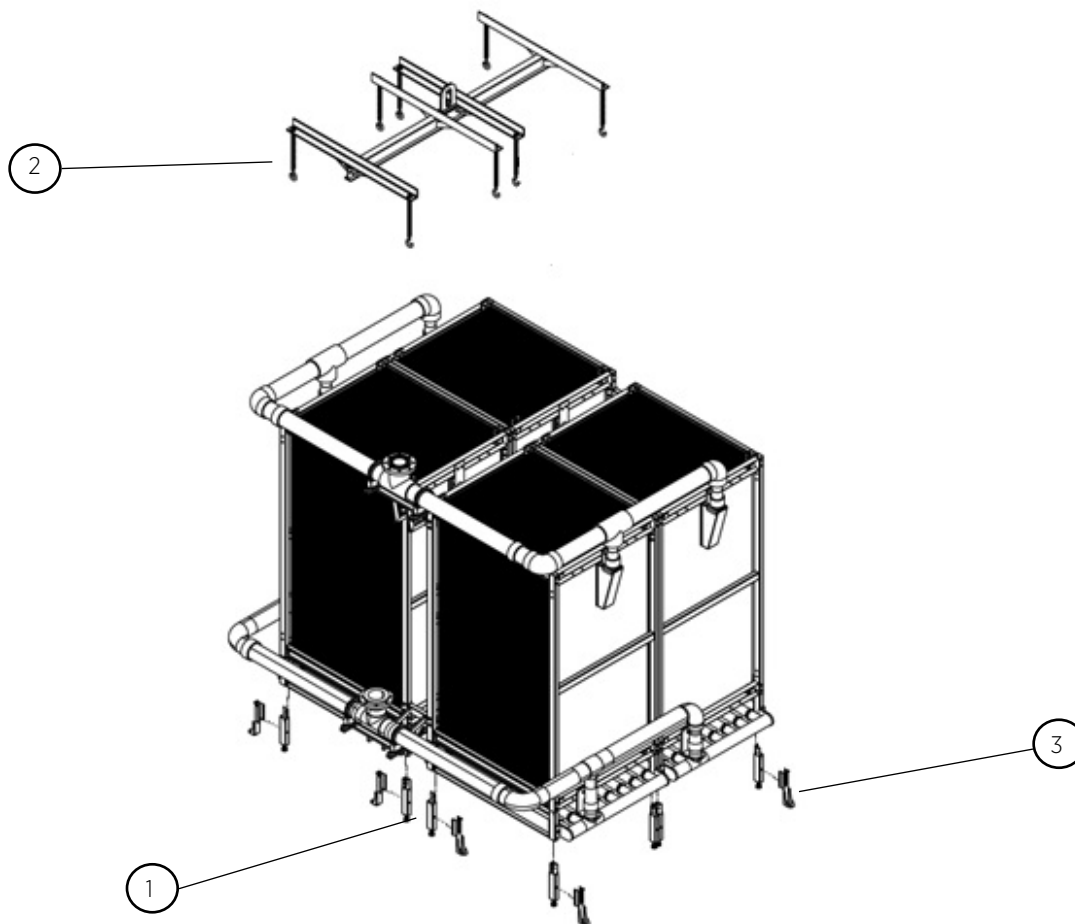


Figure 4. BIO-CEL® XL-2 accessories

**BIO-CEL® XL-2 SPARE PARTS**

No spare parts are typically required for BIO-CEL® XL-2 modules within the first five years of operation. If spare parts are needed, they may be ordered as per Table 5. For spare parts on single cassettes, please refer to the spare parts list for BIO-CEL L-2 “TDS - WW023\_BIO-CEL L-2\_Scope of supply-Accessories-Spare parts”.

**Table 5. Spare parts**

<b>Position</b>	<b>Part Number</b>	<b>Spare Part</b>	<b>Remarks</b>
1	1000001455	BIO-CEL L-2 Double Cassette	Stainless Steel 1.4301/304 (V2A)
2 / 3 / 4	1000000612	BIO-CEL XL-2 PERMEATE PIPING	Set of 3 pcs made of PVC
6 / 7 / 8	1000000613	BIO-CEL XL-2 AERATION PIPING	Set of 3 pcs made of PP
10	1000000614	BIO-CEL XL-2 COUPL. PIPING	Grip Clamp Coupling made of Stainless Steel 1.4301/304 (V2A) with EPDM seals. Needed to connect the pipe sets.
11	1000000615	BIO-CEL XL-2 COUPL. PERM.	Grip Clamp Coupling made of Stainless Steel 1.4301/304 (V2A) with EPDM seals. Needed to connect the permeate piping to the cassettes permeate port..
5	On request	BIO-CEL XL-2 SUPPORT SET PERM. Pipe	Permeate Pipe Support Set made of Stainless Steel 1.4301/304 (V2A) incl. pipe clamp and bolts
9	On request	BIO-CEL XL-2 SUPPORT SET AIR. Pipe	Permeate Pipe Support Set made of Stainless Steel 1.4301/304 (V2A) incl. pipe clamp and bolts
12	1000000618	BIO-CEL XL-2 MODULE BRACING	Stainless Steel 1.4301/304 (V2A)

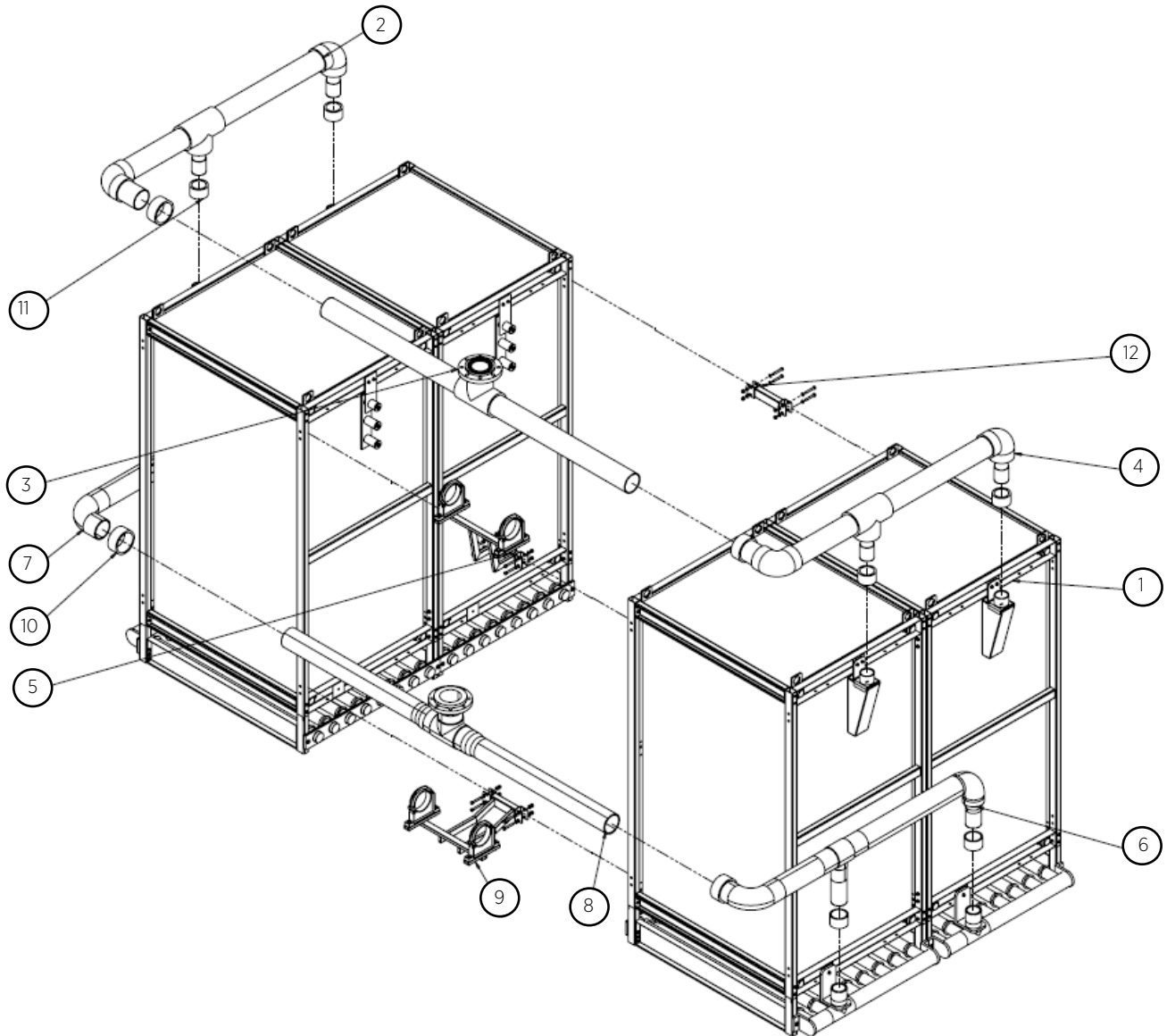


Figure 5. BIO-CEL® XL-2 spare parts

## Contact

### Europe

Germany: +49 611 962 6001  
Italy: +39 0721 1796201  
info@microdyn-nadir.com

### Americas

USA: +1 805 964 8003  
sales.mnus@microdyn-nadir.com

### Asia

Singapore: +65 6457 7533  
China: +86 10 8413 9860  
waterchina@mann-hummel.com