

MICRODYN AQUADYN® UA420 Hollow Fiber UF Modules

MICRODYN AQUADYN® UA420 UF modules feature a 0.025-micron pore size **Polyacrylonitrile (PAN)** hollow fiber membrane potted in a U-shaped arrangement. These modules are most suitable for POU (Point-of-Use), POE (Point-of-Entry), and commercial water and wastewater treatment systems. They operate at a very low feed pressure due to the high hydrophilicity of PAN membrane, which leads to energy savings. This product specification sheet provides an overview of relevant technical data regarding MICRODYN AQUADYN® UA420 modules.

MEMBRANE CHARACTERISTICS

Membrane Polymer	Polyacrylonitrile (PAN)
Nominal Pore Size	0.025 µm
Membrane Type	Hollow Fiber
Hollow Fiber Diameter OD/ID	2.1 mm / 1.1 mm (0.083 inch / 0.043 inch)

MODULE SPECIFICATIONS

Housing Material	Reinforced PP
Membrane Potting	Epoxy
Type of Filtration	Out → In Dead-End
Operating Mode	Dead-End
Preservative	Sodium meta-bisulphite
Nominal Membrane Area	6 m ² (65 ft ²)

OPERATING PARAMETERS

Maximum Filtrate Flow	0.72 m ³ /h (3.2 gpm)
Maximum Feed Pressure (at 20°C / 68°F)	4.0 bar (58.0 psi)
Maximum Transmembrane Pressure	3.0 bar (43.5 psi)
pH Range for Operation	2.0 - 10.0
Temperature Range	5 - 45°C (41 - 113°F)

CLEANING PARAMETERS

pH Range	1.0 - 10.0
Max. Temperature	45°C (113°F)
Max. Active Chlorine Concentration	100 ppm
Max. Active Chlorine Exposure	100,000 ppm-hours
Max. Hydrogen Peroxide Concentration	500 ppm
Max. Hydrogen Peroxide Exposure	500,000 ppm-hours



UA420-E

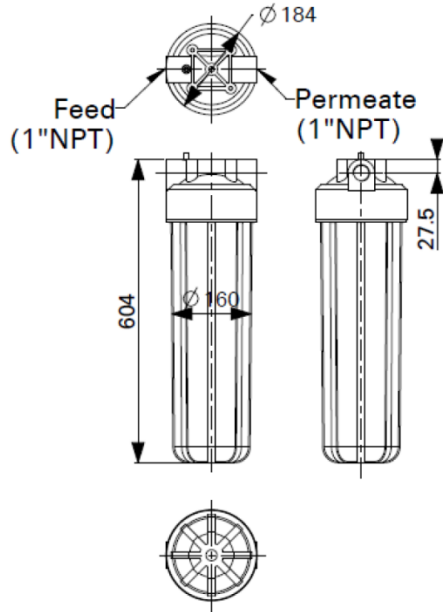


UA420-BT



UA420-BB

PHYSICAL DIMENSIONS



Dry Weight	8 kg (17.6 lb)
Module Diameter	160mm (6.3in)
Module Length	604mm (23.8in)
Feed Port	1" NPT
Permeate Port	1" NPT
UA420-E	Fiber element only
UA420-BT	Transparent housing
UA420-BB	Blue housing

IMPORTANT INFORMATION

Storage & Handling:

MICRODYN AQUADYN® UA420 modules must be handled and stored appropriately to ensure proper operation and to prevent membrane damage. Please see MICRODYN AQUADYN® UA420 Product Manual.

Installation and Start-up:

MICRODYN AQUADYN® UA420 modules must be installed correctly before start-up. For a detailed installation and start-up procedure, please see MICRODYN AQUADYN® UA420 Product Manual.

Cleaning:

MICRODYN AQUADYN® UA420 modules must be cleaned routinely via backwash to ensure proper operation and to prevent membrane damage. Please see MICRODYN AQUADYN® UA420 Product Manual.

MICRODYN-NADIR reserves the right to change specifications without prior notification.

Contact

Europe

Germany: +49 611 962 6001
 Italy: +39 0721 1796201
 info@microdyn-nadir.com

Americas

USA: +1 805 964 8003
 sales.mnus@microdyn-nadir.com

Asia

Singapore: +65 6457 7533
 China: +86 10 8413 9860
 waterchina@mann-hummel.com