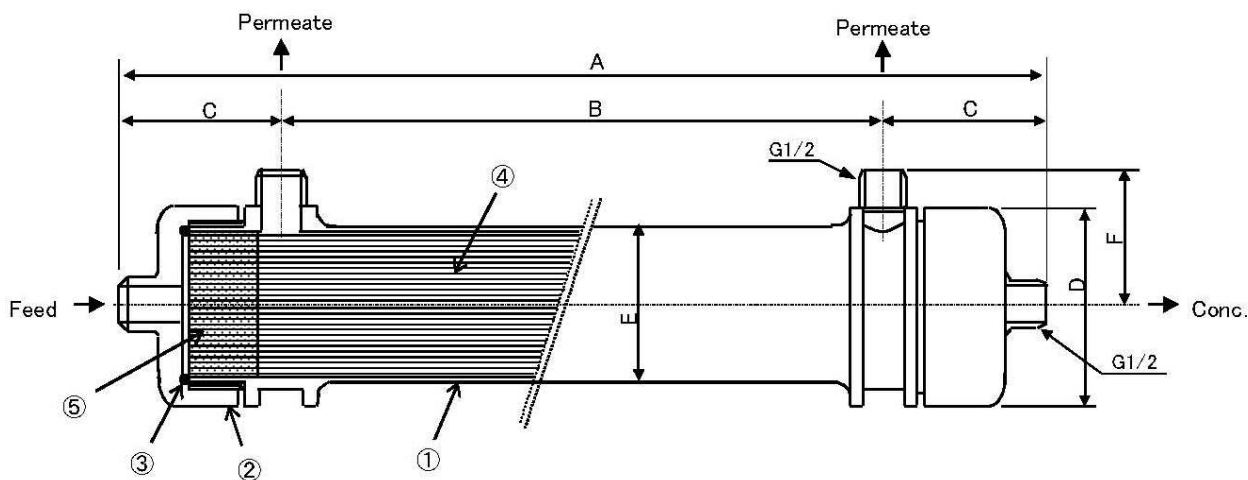


# ULTRADYN PRODUCTS SPECIFICATION

## - HOLLOW FIBER UF MEMBRANE MODULE -

### FB02-FC-FUY03A1



Module	A	B	C	D	E	F
Dimension mm	356	250	53	Ø 60	Ø 45	42

Module components			
Article	Name	Material	Num.
①	Case	Polysulfone	1
②	Cap	Polysulfone	2
③	O-Ring type AS568-239	FPM	2
④	Hollow fiber	Polyacrylonitrile	-
⑤	Potting resin	Epoxy resin	-

FPM: Fluoro Rubber

#### Standard configurations

Filtration type	Ultrafiltration	
Membrane material	Polyacrylonitrile	
Molecular cutoff	30,000	Dalton
Hollow fiber inner diameter	1.0	mm
Membrane area	0.2	m <sup>2</sup>
Standard water flux <sup>(1)</sup>	60	l/h
Shipping water flux range <sup>(1)</sup>	45	l/h
Feed inlet pressure, max. <sup>(3)</sup>	0.4	MPa
Transmembrane pressure, max.	0.3	MPa
Temperature, max.	45	°C
Applicable pH range	2 ~ 11	
Standard inlet feed flow <sup>(2)</sup>	710	l/h
Weight at operation	0.9	kg
Weight at shipping	0.4	kg
Standard preservative	1000 ppm Benzoic acid	
Connectors	Feed/Conc.:	G1/2
	Permeate:	G1/2

<sup>(1)</sup> Initial water flux by dead end filtration with pure water under T.M.P. 0.1 MPa at 25°C

<sup>(2)</sup> Standard condition is adjusted to 1 m/sec feed velocity. Please notice that the optimum velocity is different for each application.

<sup>(3)</sup> This value is for room temperature.

DAICEN Membrane Systems Ltd. is the manufacturer of the ULTRADYN modules and markets and distributes them under the registered trademark MOLSEP®.

MICRODYN-NADIR behält sich das Recht vor, Angaben ohne vorherige Ankündigung anzupassen.  
We reserve the right to change specifications without prior notification.

MICRODYN-NADIR GmbH  
Industriepark Kalle-Albert  
Kasteler Straße 45  
D-65203 Wiesbaden

Telefon: +49 (0) 611/962-6001  
Telefax: +49 (0) 611/962-9237  
E-Mail: info@microdyn-nadir.de  
Internet: www.microdyn-nadir.de

