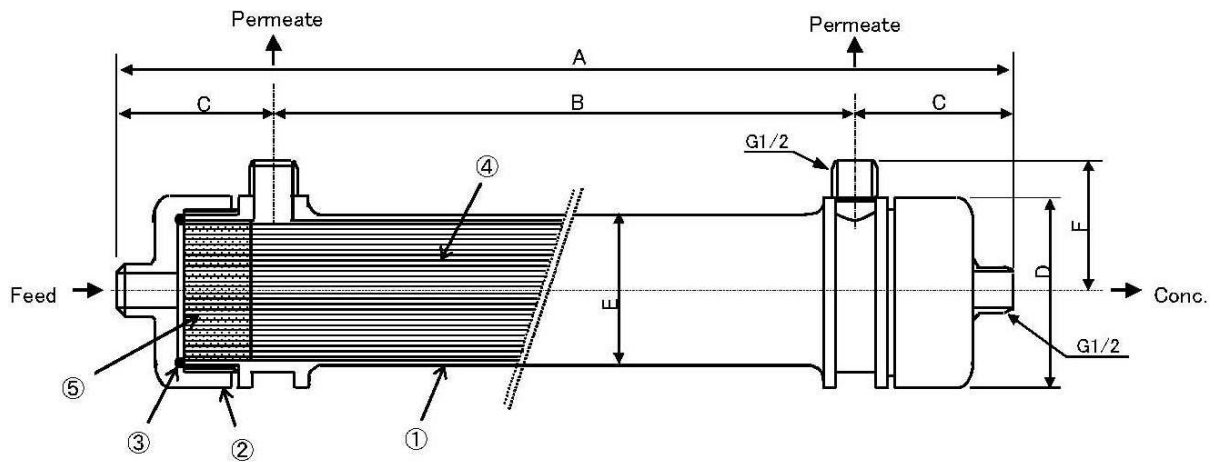


ULTRADYN PRODUCTS SPECIFICATION

- HOLLOW FIBER UF MEMBRANE MODULE -

FB02-FC-FUS0353



Module		A	B	C	D	E	F
Dimension	mm	356	250	53	Ø 60	Ø 45	42

Accessoires			
Article	Name	Material	Num.
①	Case	Polysulfone	1
②	Cap	Polysulfone	2
③	O-Ring type AS568-239	FPM	2
④	Hollow fiber	Polyethersulfone	-
⑤	Potting resin	Epoxy resin	-

FPM: Fluoro rubber

Standard configurations

Filtration type	Ultrafiltration	
Membrane material	Polyethersulfone	
Molecular cutoff	30,000	Dalton
Hollow fiber inner diameter	0.5	mm
Membrane area	0.4	m ²
Standard water flux ⁽¹⁾	300	l/h
Shipping water flux range ⁽¹⁾	220	l/h
Feed inlet pressure, max. ⁽³⁾	0.4	MPa
Transmembrane pressure, max.	0.3	MPa
Temperature, max.	98	°C
Applicable pH range	1 ~ 13	
Standard inlet feed flow ⁽²⁾	710	l/h
Weight at operation	0.9	kg
Weight at shipping	0.4	kg
Standard preservative ⁽⁴⁾	1000 ppm Benzoic acid	
Connectors	Feed/Conc.:	G1/2
	Permeate:	G1/2

⁽¹⁾ Initial water flux by dead end filtration with pure water under T.M.P. 0.1 MPa at 25°C

⁽²⁾ Standard condition is adjusted to 1 m/sec feed velocity. Please notice that the optimum velocity is different for each application.

⁽³⁾ This value is for room temperature.

⁽⁴⁾ Sodium hypochlorite concentration of medium (effective chlorine conc. 50 ~ 70 mg/l).

Note: Applicable max. pressure depends on operating temperature. Ensure instruction manual.

DAICEN Membrane Systems Ltd. is the manufacturer of the ULTRADYN modules and markets and distributes them under the registered trademark MOLSEP®.

MICRODYN-NADIR behält sich das Recht vor, Angaben ohne vorherige Ankündigung anzupassen.
We reserve the right to change specifications without prior notification.

MICRODYN-NADIR GmbH
Industriepark Kalle-Albert
Kasteler Straße 45
D-65203 Wiesbaden

Telefon: +49 (0) 611/962-6001
Telefax: +49 (0) 611/962-9237
E-Mail: info@microdyn-nadir.de
Internet: www.microdyn-nadir.de

