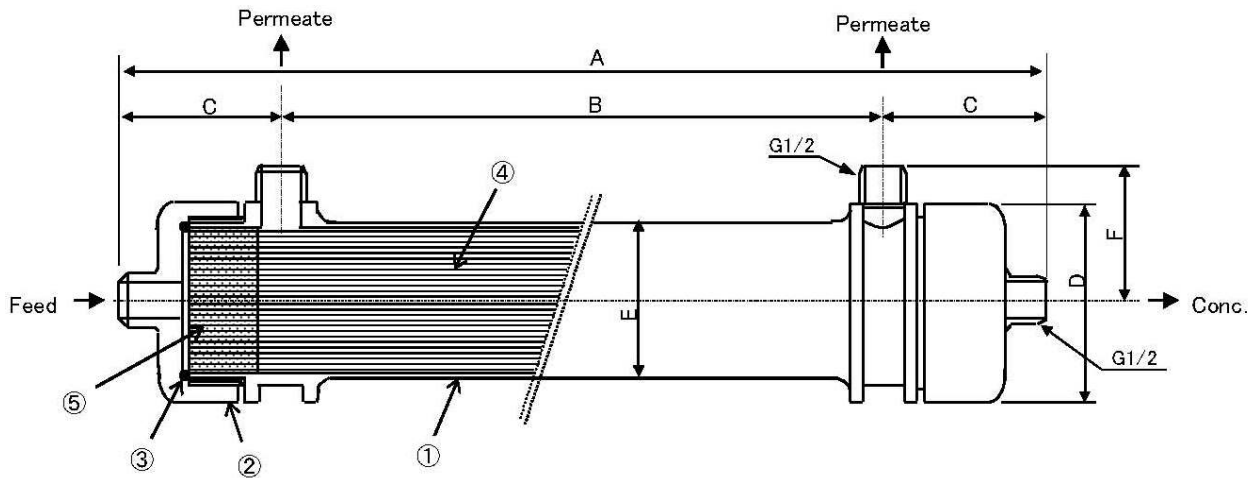


# ULTRADYN PRODUCTS SPECIFICATION

## - HOLLOW FIBER UF MEMBRANE MODULE -

### FB02-FC-FUY15E1



| Module       | A   | B   | C  | D    | E    | F  |
|--------------|-----|-----|----|------|------|----|
| Dimension mm | 356 | 250 | 53 | Ø 60 | Ø 45 | 42 |

| Module components |                       |                   |      |
|-------------------|-----------------------|-------------------|------|
| Article           | Name                  | Material          | Num. |
| ①                 | Case                  | Polysulfone       | 1    |
| ②                 | Cap                   | Polysulfone       | 2    |
| ③                 | O-Ring type AS568-239 | FPM               | 2    |
| ④                 | Hollow fiber          | Polyacrylonitrile | -    |
| ⑤                 | Potting resin         | Epoxy resin       | -    |

FPM: Fluoro Rubber

#### Standard configurations

|  |                       |                |
|--|-----------------------|----------------|
| Filtration type                          | Ultrafiltration       |                |
| Membrane material                        | Polyacrylonitrile     |                |
| Molecular cutoff                         | 150,000               | Dalton         |
| Hollow fiber inner diameter              | 1.4                   | mm             |
| Membrane area                            | 0.15                  | m <sup>2</sup> |
| Standard water flux <sup>(1)</sup>       | 75                    | l/h            |
| Shipping water flux range <sup>(1)</sup> | 60                    | l/h            |
| Feed inlet pressure, max. <sup>(3)</sup> | 0.4                   | MPa            |
| Transmembrane pressure, max.             | 0.3                   | MPa            |
| Temperature, max.                        | 45                    | °C             |
| Applicable pH range                      | 2 ~ 11                |                |
| Standard inlet feed flow <sup>(2)</sup>  | 700                   | l/h            |
| Weight at operation                      | 0.9                   | kg             |
| Weight at shipping                       | 0.4                   | kg             |
| Standard preservative                    | 1000 ppm Benzoic acid |                |
| Connectors                               | Feed/Conc.:           | G1/2           |
|  | Permeate:             | G1/2           |

<sup>(1)</sup> Initial water flux by dead end filtration with pure water under T.M.P. 0.1 MPa at 25°C

<sup>(2)</sup> Standard condition is adjusted to 1 m/sec feed velocity. Please notice that the optimum velocity is different for each application.

<sup>(3)</sup> This value is for room temperature.

DAICEN Membrane Systems Ltd. is the manufacturer of the ULTRADYN modules and markets and distributes them under the registered trademark MOLSEP®.

MICRODYN-NADIR behält sich das Recht vor, Angaben ohne vorherige Ankündigung anzupassen.  
We reserve the right to change specifications without prior notification.

MICRODYN-NADIR GmbH  
Industriepark Kalle-Albert  
Kasteler Straße 45  
D-65203 Wiesbaden

Telefon: +49 (0) 611/962-6001  
Telefax: +49 (0) 611/962-9237  
E-Mail: info@microdyn-nadir.de  
Internet: www.microdyn-nadir.de

