

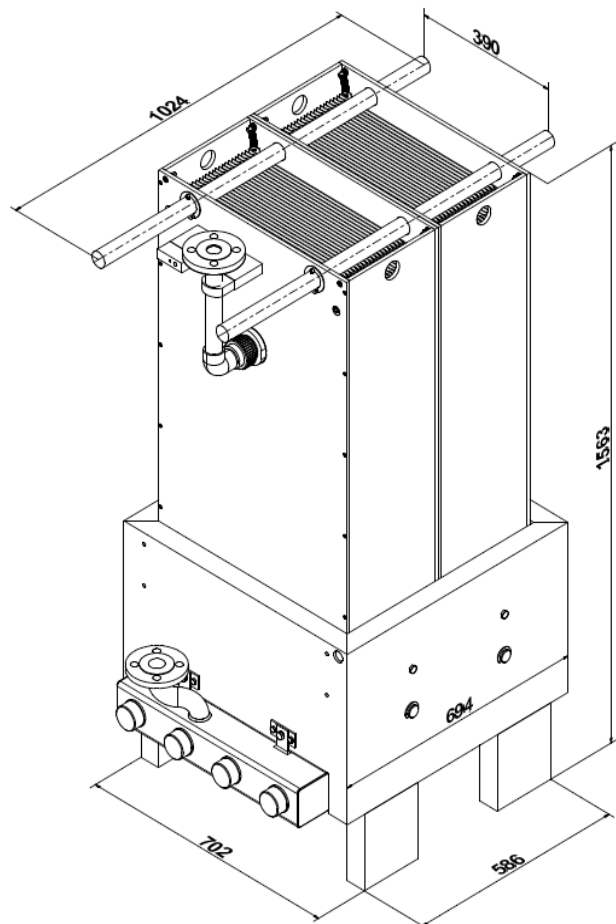
BIO-CEL[®] BC50F-C25-UP150

- Modules for wastewater treatment -

Data Sheet

Material	
Housing	Polyvinyl chloride, Polyethylene
Piping	Polyvinyl chloride (PVC)
Connections	Stainless Steel
Membrane	Polyether sulfone (PES)
Drainage	Polyester
Sealings	EPDM
Diffusor	PP/PUR

Membrane and operation data		
Membrane area	m ²	50
Nom. MWCO	kDa	150
Pore size	µm	0.04
Pre treatment, recommended	mm	2
Required Airflow rate (maximum) (V _n) ⁽¹⁾	m ³ /h	30
Max. content suspended solids (SS), recommended ⁽²⁾	g/l	12
Max. trans membrane pressure during filtration	mbar	400
Max. trans membrane pressure during backwash	mbar	150
Max. operating/storage temperature	°C	40
Min. operating/storage temperature	°C	5
pH range		2 - 11
Chlorine resistance	ppmh	500,000
Length (base frame)	mm	694
Length (total)	mm	1024
Width	mm	702
Height	mm	1563
Connection aerating	Flange DIN 2633 - TypC Serie1 (ISO), PN16, DN32 x 42.2	
Connection permeate	Lapped flange PP/steel, DN32 (ISO/DIN 2501, PN16)	
Dry weight	kg	125
Wet weight	kg	200
Maximum load	kg	500



⁽¹⁾ V_n is the volume flow rate at standard conditions according to DIN ISO 2533:1979-12

⁽²⁾ for higher SS concentration please contact MICRODYN-NADIR GmbH

MICRODYN-NADIR behält sich das Recht vor, Angaben ohne vorherige Ankündigung anzupassen.
We reserve the right to change specifications without prior notification.

MICRODYN-NADIR GmbH
Industriepark Kalle-Albert
Kasteler Straße 45
D-65203 Wiesbaden

Telefon: +49 (0) 611/962-6001
Telefax: +49 (0) 611/962-9237
E-Mail: info@microdyn-nadir.de
Internet: www.microdyn-nadir.de

