

# BIO-CEL<sup>®</sup> BC100F-C25-UP150

## - Modules for wastewater treatment -

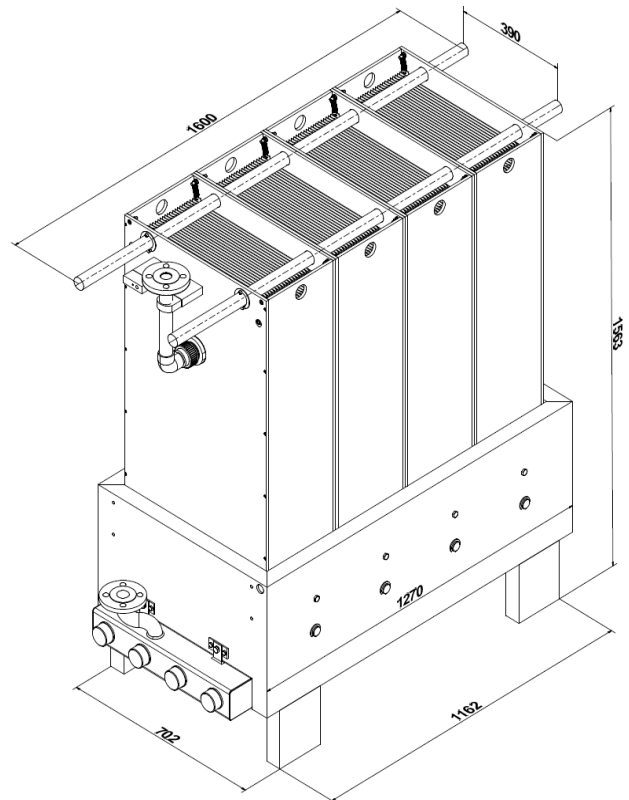
# Data Sheet

### Material

Housing	Polyvinyl chloride, Polyethylene
Piping	Polyvinyl chloride (PVC)
Connections	Stainless Steel
Membrane	Polyether sulfone (PES)
Drainage	Polyester
Sealings	EPDM
Diffusor	PP/PUR

### Membrane and operation data

Membrane area	m <sup>2</sup>	100
Nom. MWCO	kDa	150
Pore size	µm	0.04
Pre treatment, recommended	mm	2
Maximum airflow rate (V <sub>n</sub> ) <sup>(1)</sup>	m <sup>3</sup> /h	60
Max. content suspended solids (SS), recommended <sup>(2)</sup>	g/l	12
Max. trans membrane pressure during filtration	mbar	400
Max. trans membrane pressure during backwash	mbar	150
Max. operating/storage temperature	°C	40
Min. operating/storage temperature	°C	5
pH range		2 - 11
Chlorine resistance	ppmh	500,000
Length (base frame)	mm	1270
Length (total)	mm	1600
Width	mm	702
Height	mm	1563
Connection aerating	Flange DIN 2633 - TypC Serie1 (ISO), PN16, DN32 x 42.2	
Connection permeate	Lapped flange PP/steel, DN32 (ISO/DIN 2501, PN16)	
Dry weight	kg	225
Wet weight	kg	300
Maximum load	kg	900



<sup>(1)</sup> V<sub>n</sub> is the volume flow rate at standard conditions according to DIN ISO 2533:1979-12

<sup>(2)</sup> for higher SS concentration please contact MICRODYN-NADIR GmbH

MICRODYN-NADIR behält sich das Recht vor, Angaben ohne vorherige Ankündigung anzupassen.  
We reserve the right to change specifications without prior notification.

MICRODYN-NADIR GmbH  
Industriepark Kalle-Albert  
Kasteler Straße 45  
D-65203 Wiesbaden

Telefon: +49 (0) 611/962-6001  
Telefax: +49 (0) 611/962-9237  
E-Mail: info@microdyn-nadir.de  
Internet: www.microdyn-nadir.de

