

AQUADYN[®] UA420-BT

- Hollow Fiber Module -

Data Sheet

Module Specification

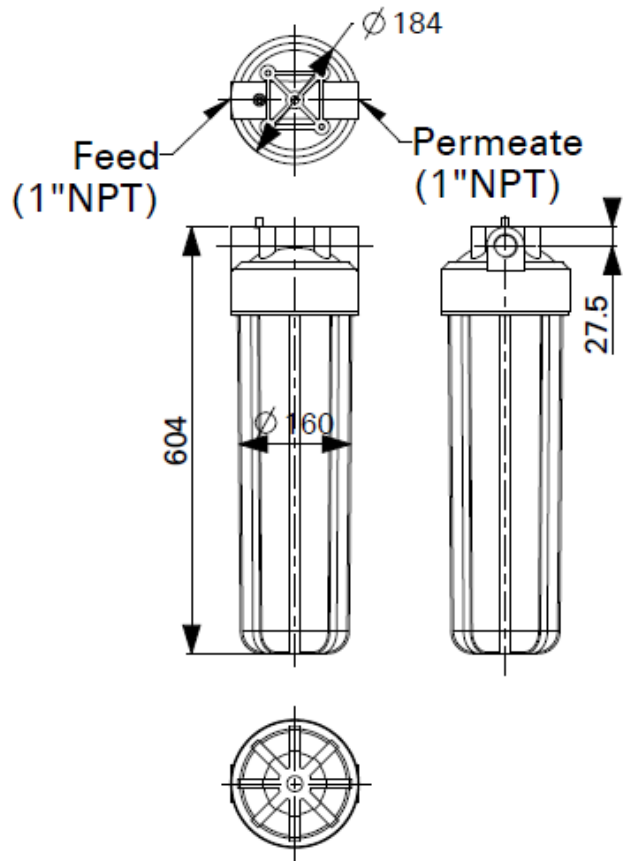
Filtration type	Ultrafiltration
Membrane type	Hollow fiber
Membrane structure	Double asymmetric
Membrane potting	Epoxy
Membrane material	PAN
Housing material	Reinforced PP
Fiber arrangement	U-Shape
Flow type	Out/In
Type of filtration	Dead End
Membrane area	6 m ² /65 ft ²
Hollow fiber diameter OD/ID	2.1 mm/1.1 mm
Pore size	0.025 µm
Module diameter	160 mm/6.3 in
Module length	604 mm/23.8 in
Connectors	Feed port: 1"NPT Permeate port: 1"NPT
Weight of module at shipping	Approx. 7 kg/15.4 lbs
Standard preservative	Sodium meta-bisulphite

Operation Specification*

	SI Units	US Units
Applicable water flux	≤ 0.72 m ³ /h	≤ 3.2 gpm
Max. transmembrane pressure	3 bar	43.5 psi
Max. module pressure	4 bar	58 psi
Temperature range	5 - 45°C	41 - 113 °F
pH range, operation	2 - 10	
pH range, cleaning	1 - 10	
Max. TSS feed	≤ 5 mg/L	
Max. NTU feed	≤ 3 NTU	

* Depending on feed water quality and operating conditions

Note: The information in this data sheet believed to be accurate and reliable, but is not to be construed as implying any warranty or guarantee of performance



Dimensions for reference only

MICRODYN-NADIR behält sich das Recht vor, Angaben ohne vorherige Ankündigung anzupassen.
We reserve the right to change specifications without prior notification.

MICRODYN-NADIR GmbH
Industriepark Kalle-Albert
Kasteler Straße 45
D-65203 Wiesbaden

Telefon: +49 (0) 611/962-6001
Telefax: +49 (0) 611/962-9237
E-Mail: info@microdyn-nadir.de
Internet: www.microdyn-nadir.de

