

# AQUADYN® FT50-AC-FUS1583

## - Hollow Fiber Module (inside-out type) -

### Data Sheet

#### Module Components

| Article | Name                | Material | Num. |
|---------|---------------------|----------|------|
| ①       | Hollow fibers       | PES      | -    |
| ②       | Housing case        | ABS      | 1    |
| ③       | Cap                 | ABS      | 2    |
| ④       | Joint pipe A        | ABS      | 1    |
| ⑤       | Joint pipe B        | ABS      | 1    |
| ⑥       | Drain port (Rc 1/2) | -        |      |
| Inside  | Potting resin       | Urethane |      |
| Inside  | Inner pipe          | ABS      |      |
| Inside  | Net                 | PET      |      |

PES Polyethersulfone  
 ABS Acrylonitrile-butadiene-styrene

#### Standard Configuration

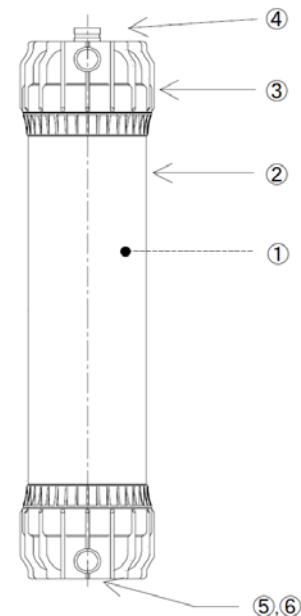
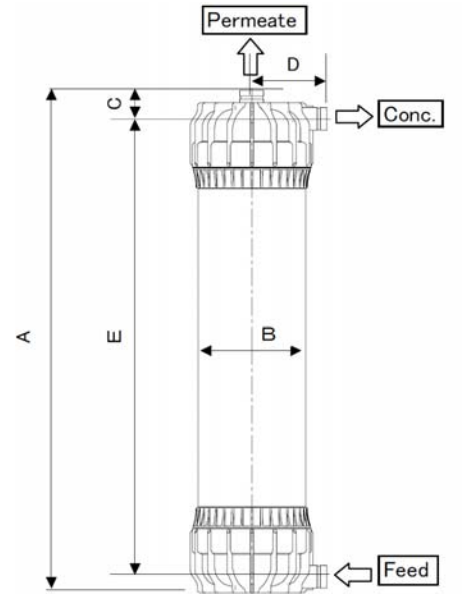
|   |  |
|---|--|
| Filtration type                             | Ultrafiltration  |
| Membrane material                           | Polyethersulfone   |
| Molecular cut-off                           | 150,000 Dalton   |
| Inner diameter of the fiber                 | 0.8 mm   |
| Membrane area                               | 50 m <sup>2</sup>  |
| Applicable water flux range                 | <10 m <sup>3</sup> /h (4.8 m <sup>3</sup> /m <sup>2</sup> day) |
| Standard inlet feed flow rate <sup>*1</sup> | 13.7 m <sup>3</sup> /h   |
| Backwash flow rate                          | <15 m <sup>3</sup> /h (7.2 m <sup>3</sup> /m <sup>2</sup> day) |
| Transmembrane pressure, max.                | 0.20 MPa   |
| Pressure for module, max.                   | 0.25 MPa   |
| Temperature, max. <sup>*2</sup>             | 40 °C  |
| Applicable pH range                         | From 4 to 12   |
| Weight of module at shipping                | Approx. 35 kg  |
| Standard preservative <sup>*3</sup>         | Sodium hypochlorite solution                                   |
| Connectors                                  | Feed/conc. ports 2" Victaulic<br>Permeate port 2" Victaulic    |

<sup>\*1</sup> Under the condition of the outlet crossflow velocity of 0.2 m/s (7.4 m<sup>3</sup>/h) and the filtration flux of 3.0 m<sup>3</sup>/m<sup>2</sup> day (6.3 m<sup>3</sup>/h).

<sup>\*2</sup> The maximum temperature should be operated less than three months.

<sup>\*3</sup> The concentration of the free chlorine of the sodium hypochlorite solution is about 20mg/L. Please consult about other mounting medium.

DAICEN Membrane Systems Ltd. is the manufacturer of the AQUADYN® F series modules and markets and distributes them under the registered trademark MOLSEP®. AQUADYN® is a registered trademark of MICRODYN-NADIR GmbH in Europe.



| Mark | Size (mm) |
|------|-----------|
| A    | 1360      |
| B    | ∅ 272     |
| C    | 78        |
| D    | 189       |
| E    | 1240      |

MICRODYN-NADIR behält sich das Recht vor, Angaben ohne vorherige Ankündigung anzupassen.  
 We reserve the right to change specifications without prior notification.

MICRODYN-NADIR GmbH  
 Industriepark Kalle-Albert  
 Kasteler Straße 45  
 D-65203 Wiesbaden

Telefon: +49 (0) 611/962-6001  
 Telefax: +49 (0) 611/962-9237  
 E-Mail: info@microdyn-nadir.de  
 Internet: www.microdyn-nadir.de

