

AQUADYN® FT50-AC-FUC1582

- Hollow Fiber Module -

Data Sheet

Module Components

Article	Name	Material	Num.
①	Hollow fibers	CTA	-
②	Housing case	ABS	1
③	Cap	ABS	2
④	Joint pipe A	ABS	1
⑤	Joint pipe B	PP	1
⑥	Drain port (Rc 1/2)	-	
Inside	Potting resin	Urethane	
Inside	Inner pipe	ABS	
Inside	Net	PET	
	CTA	Cellulose tri acetate	
	ABS	Acrylonitrile-butadiene-styrene	
	PP	Polypropylene	

Standard Configuration

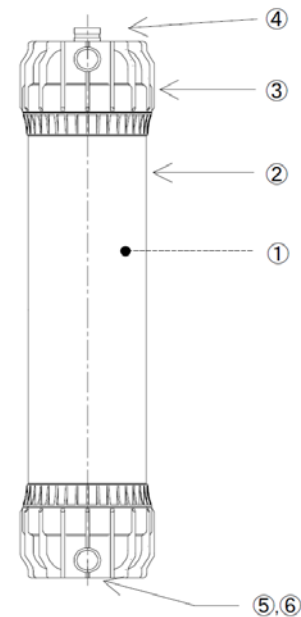
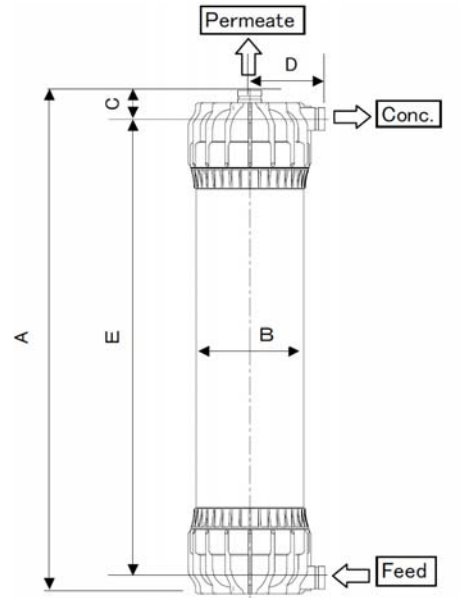
Filtration type	Ultrafiltration (In to out)
Membrane material	Cellulose tri acetate
Molecular cut-off	150,000 Dalton
Inner diameter of the fiber	0.8 mm
Membrane area	50 m ²
Applicable water flux range	<7.3 m ³ /h (3.5 m ³ /m ² day)
Standard inlet feed flow rate ^{*1}	13.7 m ³ /h
Backwash flow rate	<14.6 m ³ /h (7.0 m ³ /m ² day)
Transmembrane pressure, max.	0.2 MPa
Pressure for module, max.	0.2 MPa
Temperature, max. ^{*2}	40 °C
Applicable pH range	From 4 to 8
Weight of module at shipping	Approx. 35 kg
Standard preservative ^{*3}	Aqueous sodium hypochlorite
Connectors	Feed/conc. ports 2" Victaulic Permeate port 2" Victaulic

^{*1} Under the condition of the outlet crossflow velocity of 0.2 m/s and the filtration flux of 3.0m³/m² day.

^{*2} The maximum temperature should be operated less than three months.

^{*3} The free chlorine concentration is 10 to 20 mg/L.
Aqueous sodium benzoic acid at the concentration of 500 mg/L can be also available for the long-term preservation.

DAICEN Membrane Systems Ltd. is the manufacturer of the AQUADYN® F series modules and markets and distributes them under the registered trademark MOLSEP®. AQUADYN® is a registered trademark of MICRODYN-NADIR GmbH in Europe.



Mark	Size (mm)
A	1360
B	∅ 272
C	78
D	189
E	1240

MICRODYN-NADIR behält sich das Recht vor, Angaben ohne vorherige Ankündigung anzupassen.
We reserve the right to change specifications without prior notification.

MICRODYN-NADIR GmbH
Industriepark Kalle-Albert
Kasteler Straße 45
D-65203 Wiesbaden

Telefon: +49 (0) 611/962-6001
Telefax: +49 (0) 611/962-9237
E-Mail: info@microdyn-nadir.de
Internet: www.microdyn-nadir.de

